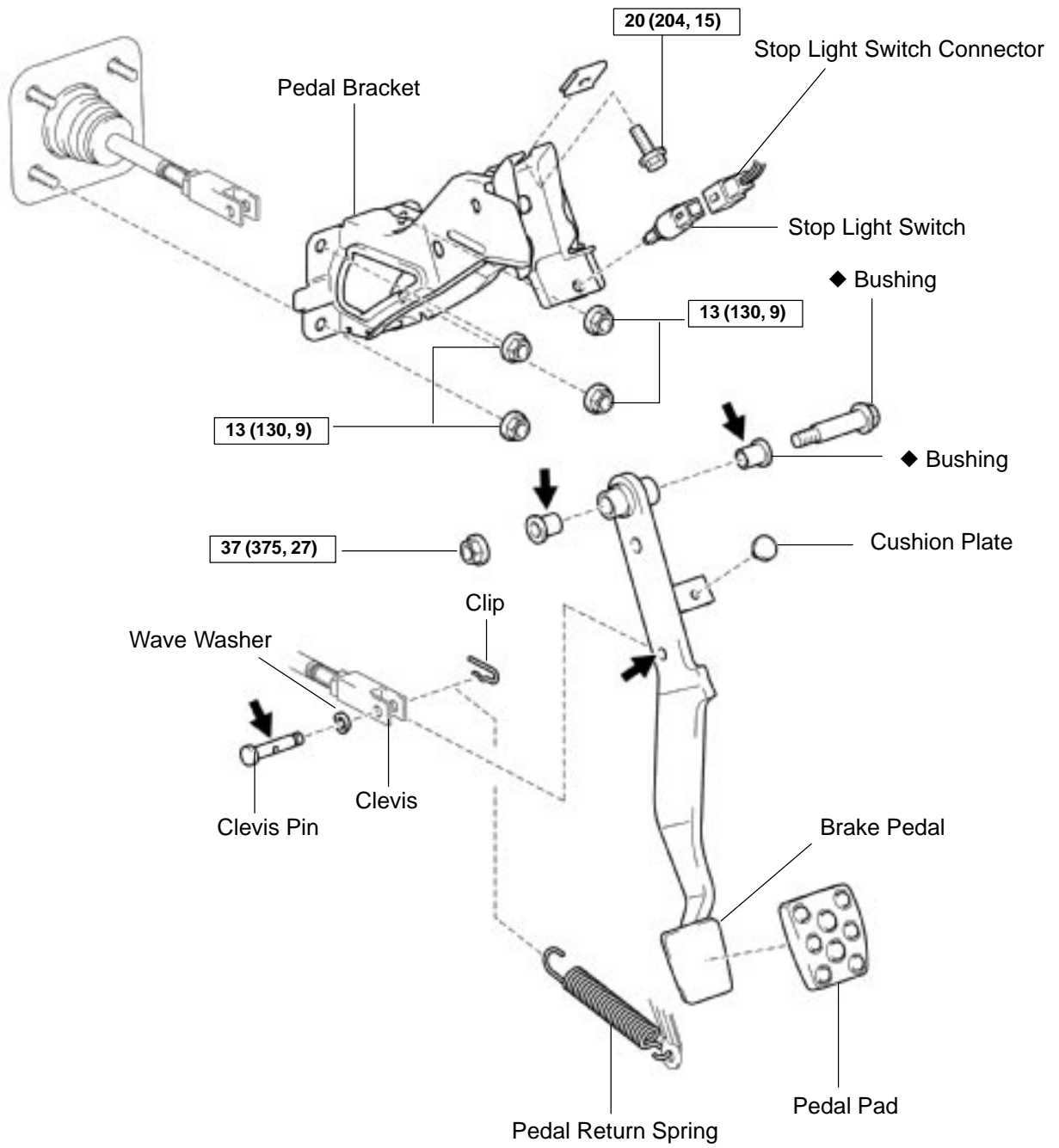


# COMPONENTS



**N·m (kgf·cm, ft·lbf)** : Specified torque

◆ Non-reusable part

◀ Lithium soap base glycol grease

F09123